

## FESTOON XENON

Low maintenance, concealed, flexible lighting fixture incorporating Xenon illumination.

CAT:		FEET:
TYPE:	PROJECT:	

### FEATURES

- Replacement for existing retro-illumination applications with historical appearance
- Flexible, field cuttable dual wire system bends 90° easily to fit concave and convex curves without special hardware
- Use in both low and high ambient light conditions
- Low maintenance lighting for high or low ambient light interior applications
- Dimming available

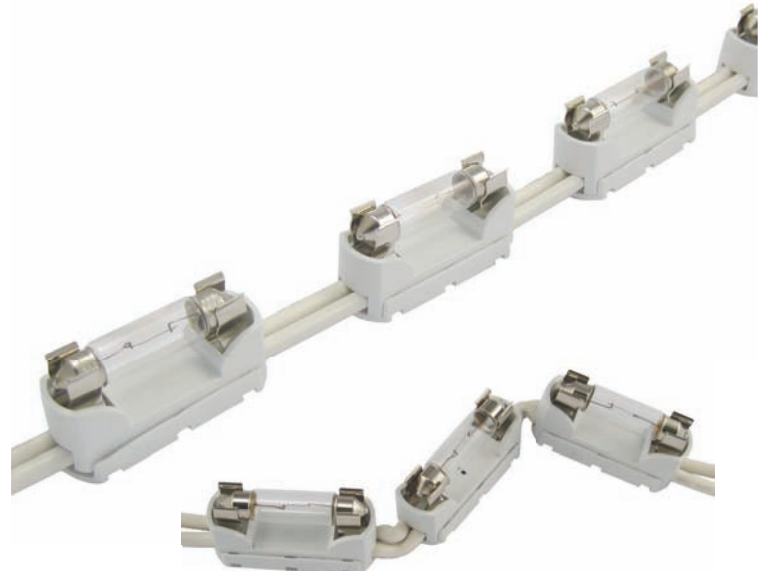
### SPECIFICATIONS

COVELUM FESTOON XENON	CRI	LM/FT	LM/MODULE	WT/FT	WT/MODULE
5W 2400° at 2.5" O.C.	N/A	79.83	16.63	24	5
5W 2400° at 3" O.C.	N/A	66.5	16.63	20	5
5W 2400° at 4" O.C.	N/A	53.2	16.63	15	5
5W 2400° at 6" O.C.	N/A	33.3	16.63	10	5

Measurements are based on 24V AC power and 5W design calculations will vary based on power supply and run lengths.

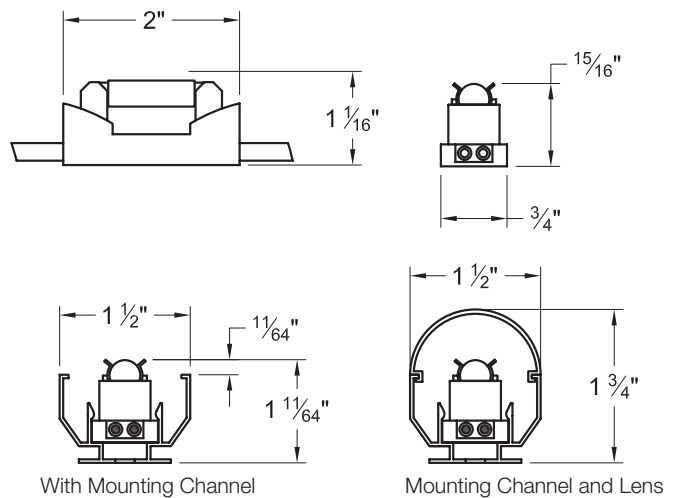
LAMP DATA	WATTAGE	LAMP LIFE / COLOR TEMP
Festoon Xenon Lamp Frosted or Clear	3W	20,000 hrs. 2300°K
	5W	15,000 hrs. 2400°K

1. **Spacing** - Lamp spacing: 2.5", 3", 4", 6" O.C.
2. **Xenon Lamp** - Uses 3 or 5W, 24VAC lamps in a fuse style envelope
3. **Mounting** - Aluminum mounting channel for linear mounting or mounting clamps (2 per foot) for curved or arched applications
4. **Max lamps per circuit** - 3W: 96 per 12A circuit  
5W: 55 per 12A circuit
5. **Max run lengths** - Run lengths are limited by 12A.  
See chart on page 4
6. **Packaged** - Covelum is shipped standard in 50ft field cuttable length strands. Tivoli will manufacture to specific lengths
7. **Power Supply** - Listed for us with Class I listed power supply  
- Class II power supplies can be used - consult factory
8. **Listing** - ETL dry listed for indoor Class I applications
9. **Warranty** - 3 Year Warranty



Covelum™ 3" O.C. strand with Xenon lamps

### PROFILES



### COVELUM LED ORDER SPECIFICATION GUIDE

Example: CLFX-2.5-3F-24

PRODUCT CODE	LAMP SPACING	LAMP	VOLTAGE	REQUIRED POWER SUPPLY
CLFX -	-	-	24	PSU
COVELUM™ LED	2.5 = 2.5" O.C. 3.0 = 3" O.C. 4.0 = 4" O.C. 6.0 = 6" O.C.	3F = 3W Frosted 5F = 5W Frosted 3C = 3W Clear 5C = 5W Clear	24 = 24VAC	See power supply sheets

### REQUIRED POWER SUPPLY OPTIONS

- SC-300-1-12-24-A
- SCH-300-1-12-24-A
- SC-600-2-12-24-A
- SCH-600-2-12-24-A
- SC-1000-3-12-24-A
- SCH-1000-3-12-24-A
- SC-1200-4-12-24-A
- QT-300-1-12-24-A
- QTH-300-1-12-24-A
- QT-600-2-12-24-A
- QTH-600-2-12-24-A
- QT-1200-4-12-24-A
- QTH-1200-4-12-24-A

See power supply specifications for more information

### OPTIONAL DIMMERS

- N-600
- N-1000
- N-1500
- NH-600
- NH-1000



# COVELUM™

## FESTOON XENON

### ACCESSORIES

#### MOUNTING ACCESSORIES



**CLFX-MC** Mounting Clamp  
Clear polycarbonate mounting clamp secures Covelum™ cable to surface with a single screw on each side of clamp. (Screws not provided.)



**CLFX-CHAN-8** Aluminum Mounting Channel for straight run applications. Channel screws in place, lamp sockets fit into channel ensuring linear integrity and reducing installation time. The finish is standard satin aluminum. Comes in 8' sections.

#### Lighting Effects Accessories.

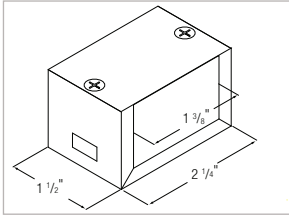
Mounting clamps are recommended as a standard mounting accessory. This method is effective for curved or straight applications. Mounting clamps should be placed every 6".

Mounting channel is recommended for uneven mounting surfaces.

#### WIRING ACCESSORIES



**CLFX-JBOX** Junction Box  
Use to cover terminal block connections. One end of the terminal block screws directly into the Covelum™ lead wires, the other end accepts AWG # 10, 12, 14 wire from power supply. 1 each terminal block included.



**CLFX-EC** End Caps  
Each length of Covelum™ strand can be terminated with PVC end caps to protect and insulate the conductors at the end of a run.

#### ACCESSORIES & REPLACEMENTS



**REPLACEMENT LAMPS**  
**CLFX-3-F-24V** 3W Frosted  
**CLFX-3-C-24V** 3W Clear  
**CLFX-5-F-24V** 5W Frosted  
**CLFX-5-C-24V** 5W Clear



**REPLACEMENT STRAND\***  
**CLFX-RS-2.5** Replacement Strand - 2.5" O.C.  
**CLFX-RS-4.0** Replacement Strand - 4.0" O.C.  
**CLFX-RS-6.0** Replacement Strand - 6.0" O.C.  
\* Not including lamps

# COVELUM™ FESTOON XENON

## Lamp Spacing

To select the lamp spacing necessary for desired effect, choose a close spacing for an even unbroken glow when you have a close distance or a wider spacing for a softer light with a greater distance to the wall area to be lit. (see lamp spacing chart for details)

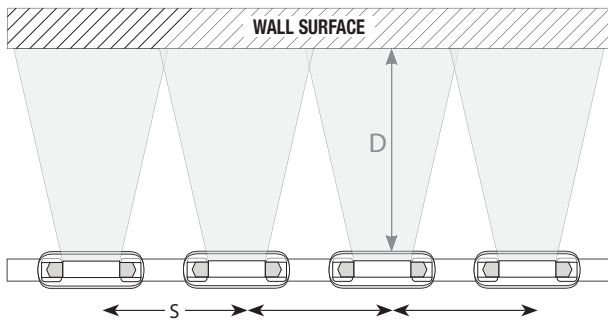
## LAMP SPACING GUIDE

D	S - RECOMMENDED SPACING
1.25"	No greater than 2.4" O.C.
2"	No greater than 3" O.C.
3"	No greater than 4" O.C.
4"	No greater than 6" O.C.

Different lamp spacings can create dramatically varied effects. Tighter spacing is most appropriate for uniform lighting applications. The chart above is an example of uniform lighting based on spacing between module and distance to surface for even illumination.

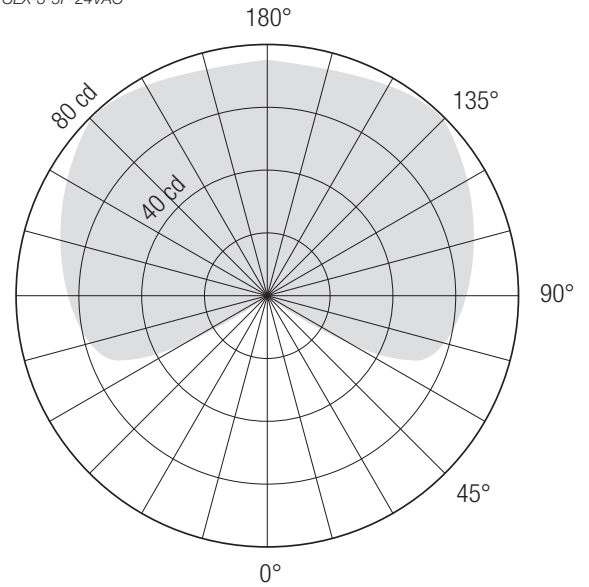
**D** = Distance where uniform light is desired.

**S** = On center lamp spacing.



## CANDELA DISTRIBUTION

CLX-3-5F-24VAC



\* Candela distribution may vary with lamp and power supply conditions.

# COVELUM™ FESTOON XENON

## RECOMMENDED POWER SUPPLIES

PART #	PRIMARY AND SECONDARY	TOTAL WATTAGE / AMPERAGE PER BREAKER	LISTING	DIMENSIONS	WEIGHT	ELECTRONIC OR AC MAGNETIC	DIMMABLE (Y OR N)
SC-300-1-12-24-A	120V AC / 24V AC	300 / 1X12A	ETL	4.88"W X 4.63"L X 6.75"D	13 Lbs	Magnetic	Y: A
SCH-300-1-12-24-A	277V AC / 24V AC	300 / 1X12A	ETL	4.88"W X 4.63"L X 6.75"D	13 Lbs	Magnetic	Y: D
SC-600-2-12-24-A	120V AC / 24V AC	600 / 2X12A	ETL	5.63"W X 5.25"L X 8.25"D	22 Lbs	Magnetic	Y: B
SCH-600-2-12-24-A	277V AC / 24V AC	600 / 2X12A	ETL	5.63"W X 5.25"L X 8.25"D	22 Lbs	Magnetic	Y: E
SC-1000-3-12-24-A	120V AC / 24V AC	1000 / 3X12A	ETL	5.63"W X 5.25"L X 10.25"D	28 Lbs	Magnetic	Y: C
SCH-1000-3-12-24-A	277V AC / 24V AC	1000 / 3X12A	ETL	5.63"W X 5.25"L X 10.25"D	28 Lbs	Magnetic	N
SC-1200-4-12-24-A	120V AC / 24V AC	1200 / 4X12A	ETL	5.63"W X 5.25"L X 10.25"D	28 Lbs	Magnetic	Y: C
QT-300-1-12-24-A	120V AC / 24V AC	300 / 1X12A	UL	14.50"W X 8.00"L X 4.00"D		Magnetic	Y: A
QTH-300-1-12-24-A	277V AC / 24V AC	300 / 1X12A	UL	14.50"W X 8.00"L X 4.00"D		Magnetic	Y: D
QT-600-2-12-24-A	120V AC / 24V AC	600 / 2X12A	UL	14.50"W X 8.00"L X 4.00"D		Magnetic	Y: B
QTH-600-2-12-24-A	277V AC / 24V AC	600 / 2X12A	UL	14.50"W X 8.00"L X 4.00"D		Magnetic	Y: E
QT-1200-4-12-24-A	120V AC / 24V AC	1200 / 4X12A	UL	14.50"W X 8.00"L X 4.00"D		Magnetic	Y: C
QTH-1200-4-12-24-A	277V AC / 24V AC	1200 / 4X12A	UL	14.50"W X 8.00"L X 4.00"D		Magnetic	N

## DIMMERS

SELECTOR	DIMMER	TYPE	CONTROL SIGNAL	INPUT VOLTAGE	OUTPUT VOLTAGE	MAX LOAD	BREAKER RATING	DIMENSIONS
<b>A</b>	N-600	AC Magnetic	N/A	120V AC	120V AC	450W Max.	N/A	Recessed Single gang box
<b>B</b>	N-1000	AC Magnetic	N/A	120V AC	120V AC	800W Max.	N/A	Recessed Dual gang box
<b>C</b>	N-1500	AC Magnetic	N/A	120V AC	120V AC	1200W Max.	N/A	Recessed Dual gang box
<b>D</b>	NH-600	AC Magnetic	N/A	277V AC	277V AC	450W Max.	N/A	Recessed Single gang box
<b>E</b>	NH-1000	AC Magnetic	N/A	277V AC	277V AC	800 Max.	N/A	Recessed Dual gang box

## POWER SPECIFICATION GUIDE

LAMP WATT	SPACING	WATTS PER FOOT	MAX CIRCUIT CAPACITY	PRODUCT MAX RUN LIMITATIONS
3W	2.5" O.C.	15W/ft	12A	20ft
	3" O.C.	12W/ft		24ft
	4" O.C.	9W/ft		32ft
	6" O.C.	6W/ft		48ft
5W	2.5" O.C.	24W/ft	12A	11.5ft
	3" O.C.	20W/ft		13.5ft
	4" O.C.	15W/ft		18.25ft
	6" O.C.	10W/ft		27.5ft

